

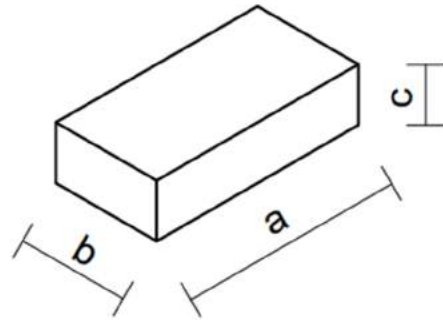
CIHELNA KADAŇ

Czech traditional brickworks, est. 1885



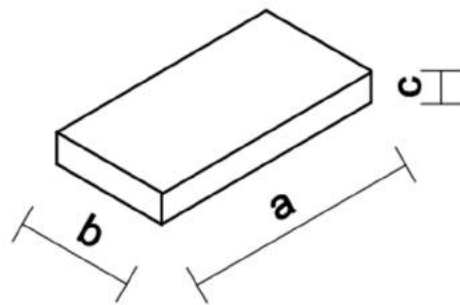
Product catalog FIRECLAY

BRICKS



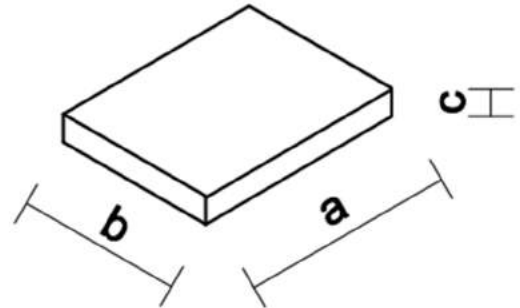
Name	Type	Dimensions (mm)			Weight (kg)	Pallet load (pcs.)
		a	b	c		
BRICKS	C25	250	123	65	4,2	250
	C30	290	140	65	5,3	200

BRICK SLIPS



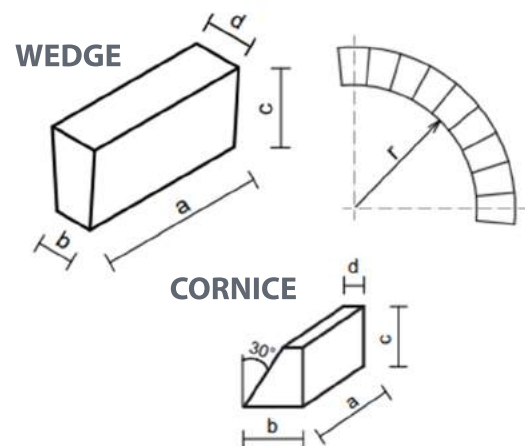
Name	Type	Dimensions (mm)			Weight (kg)	Pallet load (pcs.)
		a	b	c		
BRICK SLIPS	P 2	250	123	20	1,2	675
	P 3	250	123	30	1,6	525
	P 4	250	123	40	2,4	375

BOARDS



Name	Type	Dimensions (mm)			Weight (kg)	Pallet load (pcs.)
		a	b	c		
BOARDS	SBA 3	350	285	30	5,8	100
	M 3	360	138	30	4,0	300
	KZK 3	400	200	30	4,8	210

WEDGES

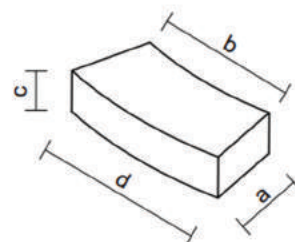


Name	Type	Dimensions (mm)					Weight (kg)
		a	b	c	d	r	
WEDGES	K 16	250	57	123	73	450	4,2
	D 16	123	57	250	73	920	4,2
CORNICE	Z 12	250	123	133	46		5,6

RADIALS



12R50



Name	Type	Dimensions (mm)					Pcs. to circle	Weight (kg)
		a	b	c	d	r		
RADIALS	8R25	80	160	123	210	250	11	3,8
	10R50	100	155	123	186	500	20	4,2
	12R50	125	155	123	195	500	18	5,4
	18R30	180	142	80	228	300	15	5,6

CIHELNA KADAŇ

www.cihelnakadan.com

Věžní 734, Kadaň, 432 01, Czechia

email : info@cihelnakadan.cz

tel : +420 720 138 965